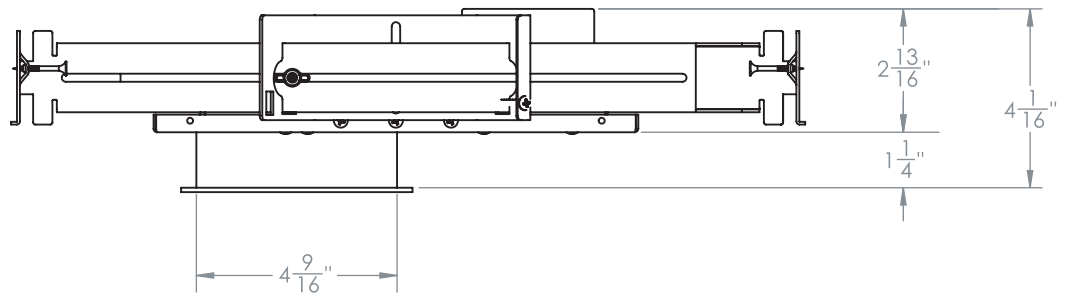
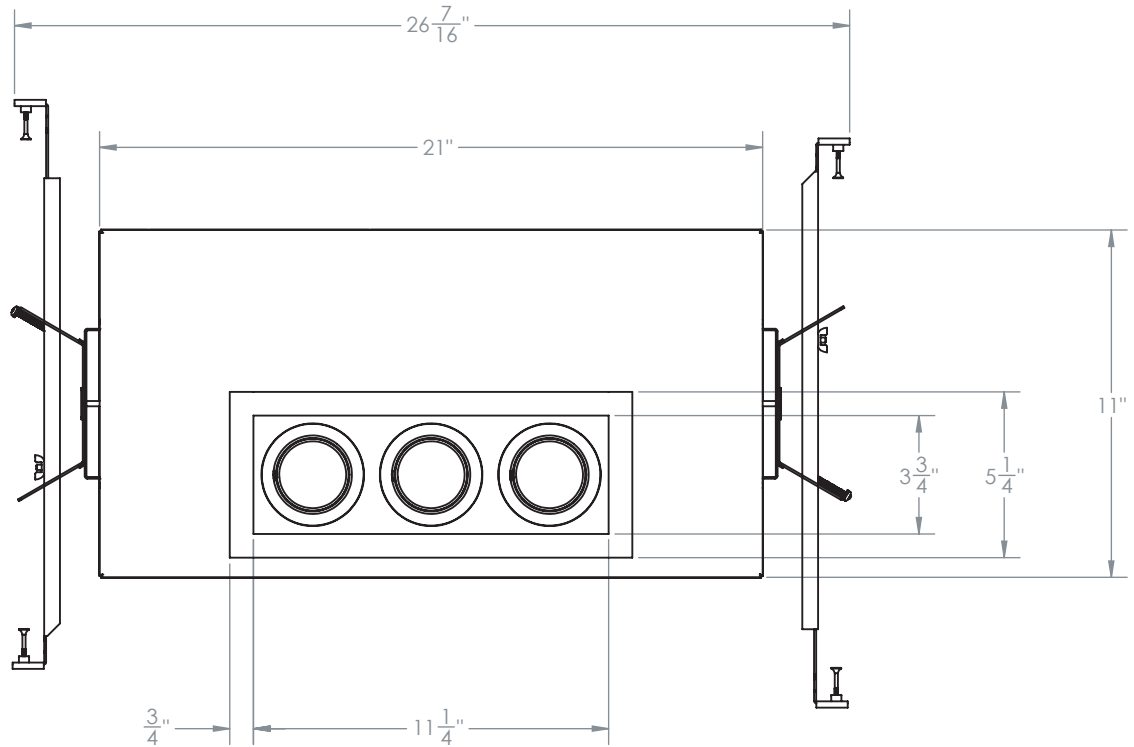


3.75" Gyro Shift Multiple 3 Head Trim

Non-IC Adjustable New Construction Housing

S3F-3LRN



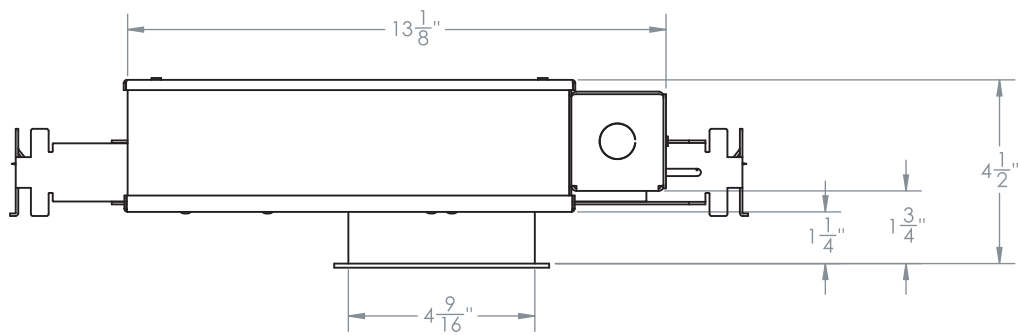
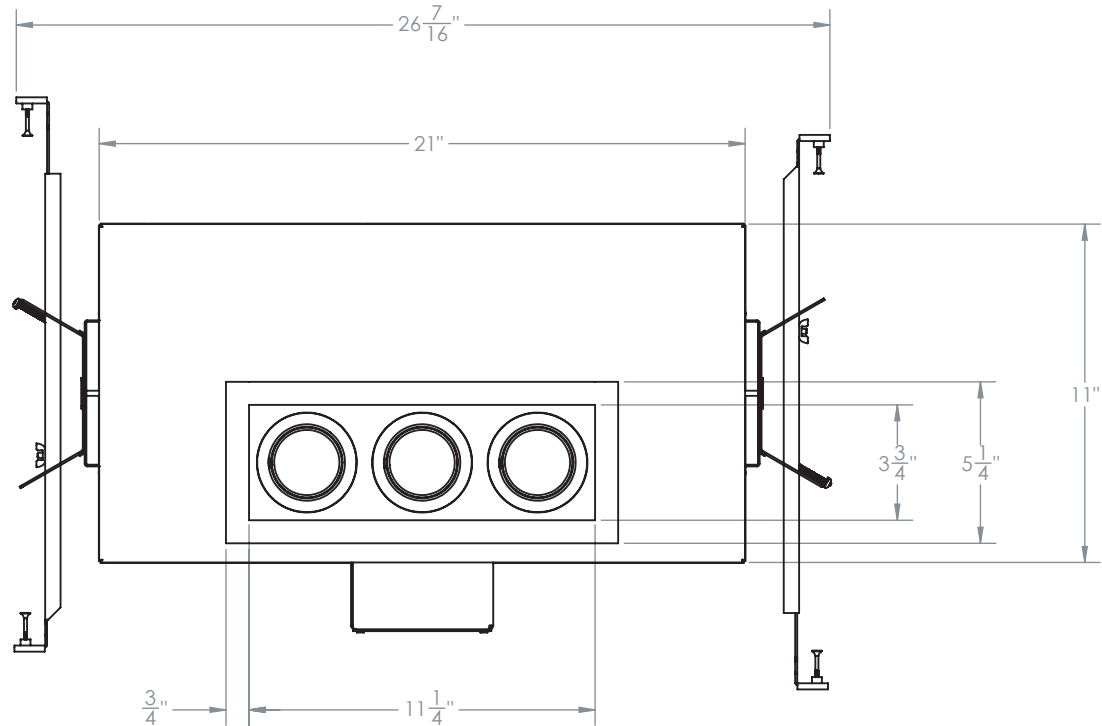
Ceiling Cut-out: $4\frac{5}{8}$ " \times $12\frac{1}{8}$ "

Revised 09/18/18

3.75" Gyro Shift Multiple 3 Head Trim

IC Air-Tight Adjustable New Construction Housing

S3F-3LRI



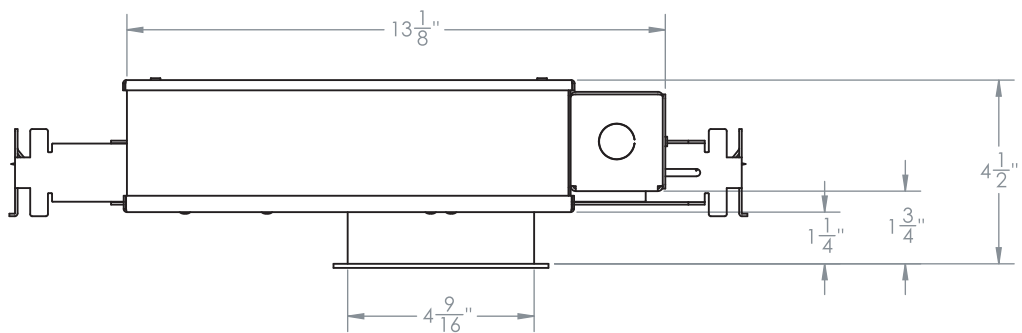
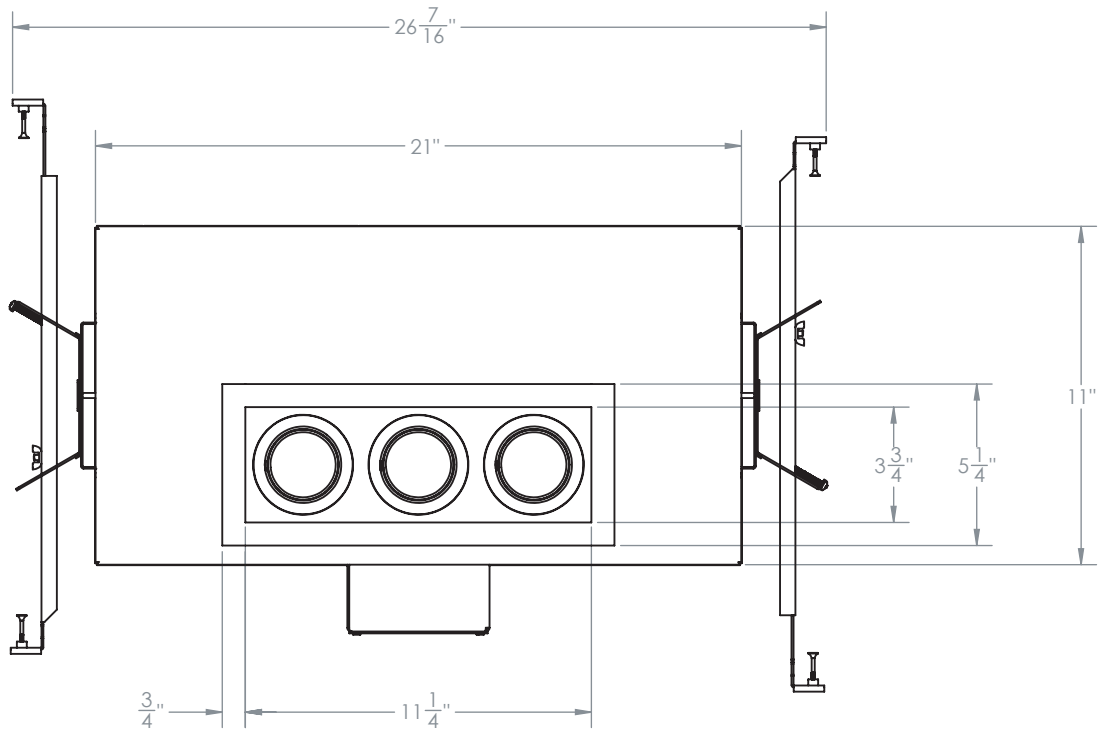
Ceiling Cut-out: $4 \frac{5}{8}'' \times 12 \frac{1}{8}''$

Revised 09/18/18

3.75" Gyro Shift Multiple 3 Head Trim

Chicago Rated Adjustable New Construction Housing

S3F-3LRC



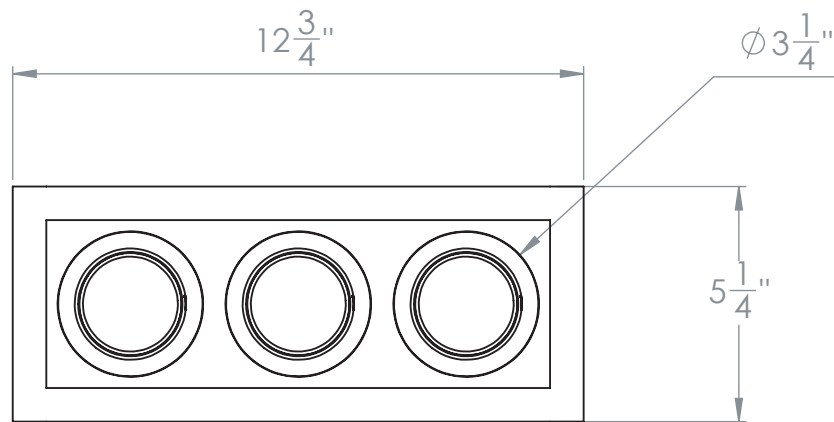
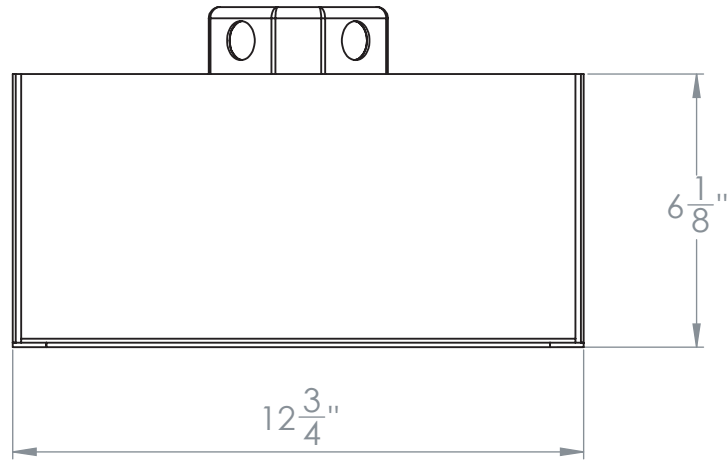
Ceiling Cut-out: $4 \frac{5}{8}'' \times 12 \frac{1}{8}''$

Revised 09/18/18

3.75" Gyro Shift Multiple 3 Head Trim

Flush Mount Adjustable Architectural Housing

S3FA-3LFL

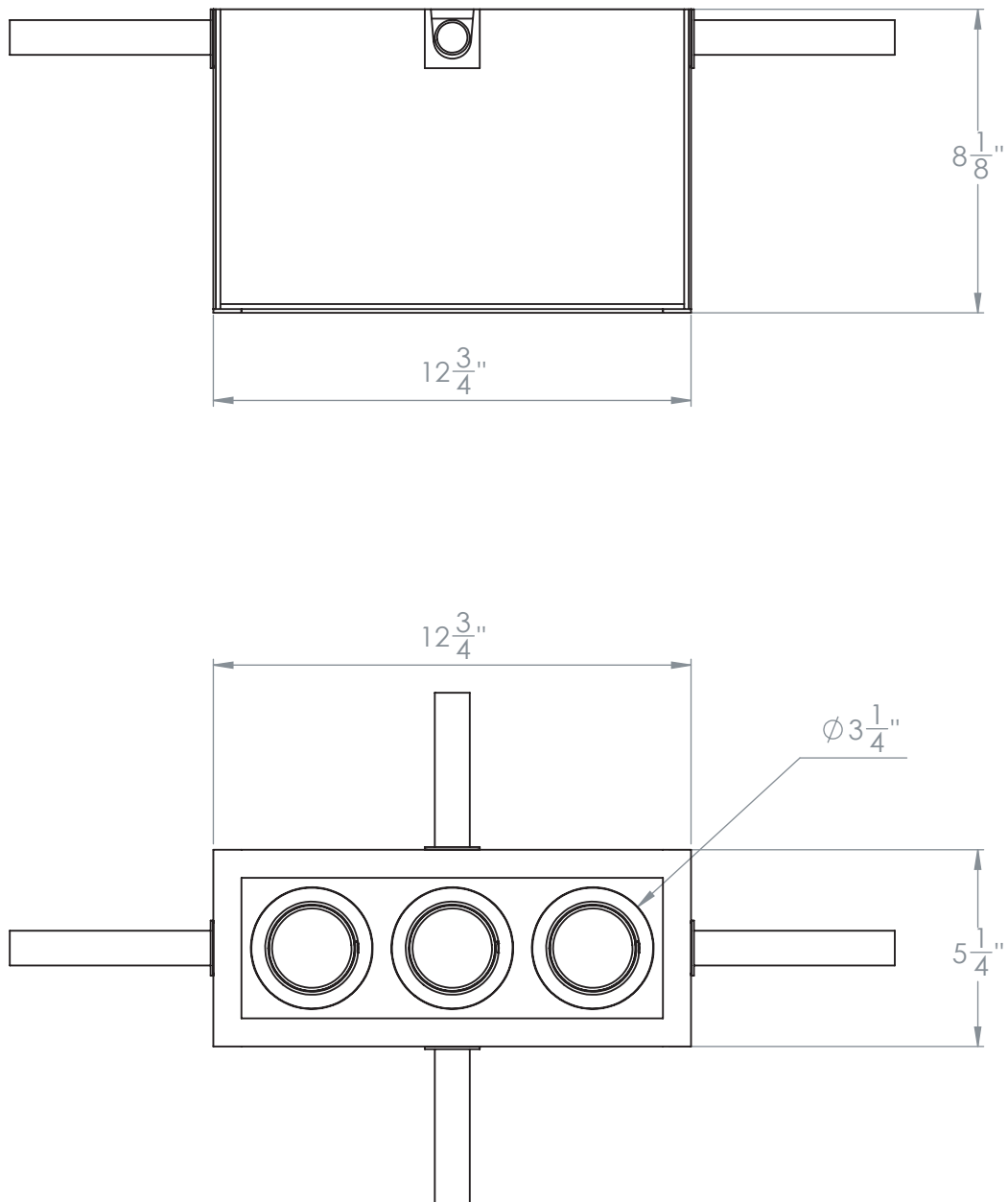


Revised 09/18/18

3.75" Gyro Shift Multiple 3 Head Trim

Flush Conduit Adjustable Architectural Housing

S3FA-3LFC

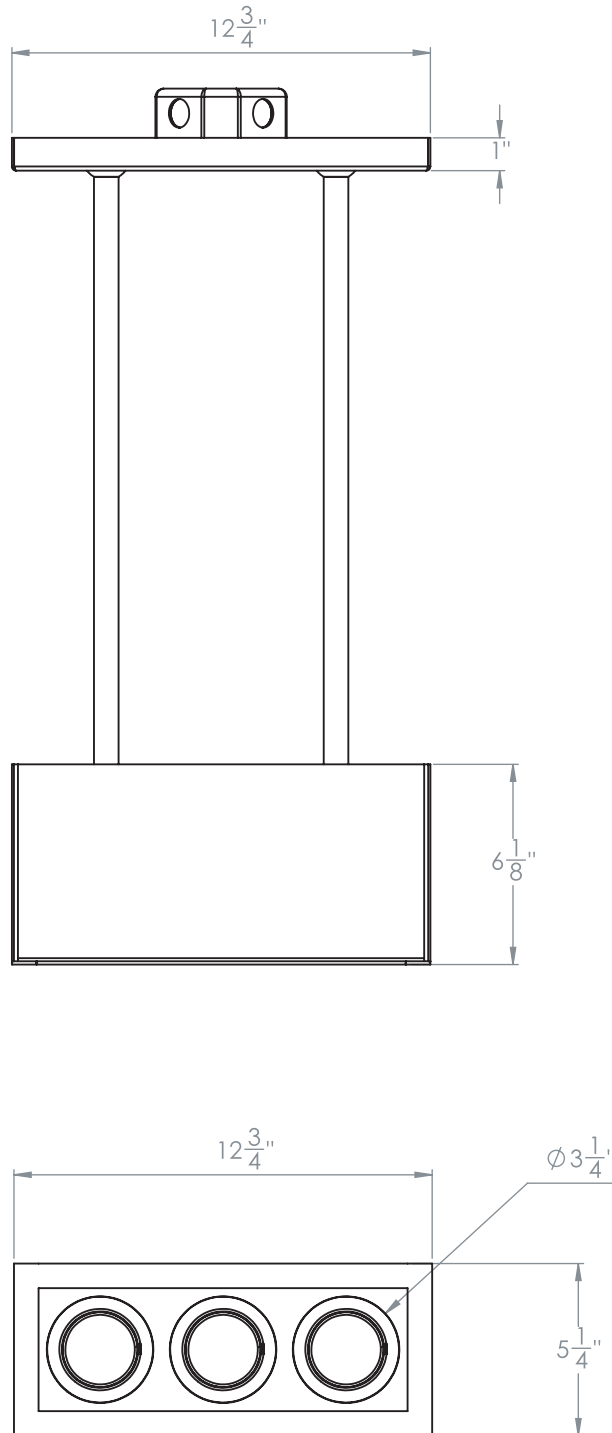


Revised 09/18/18

3.75" Gyro Shift Multiple 3 Head

Suspended Stem Adjustable Architectural Housing

S3FA-3LSS

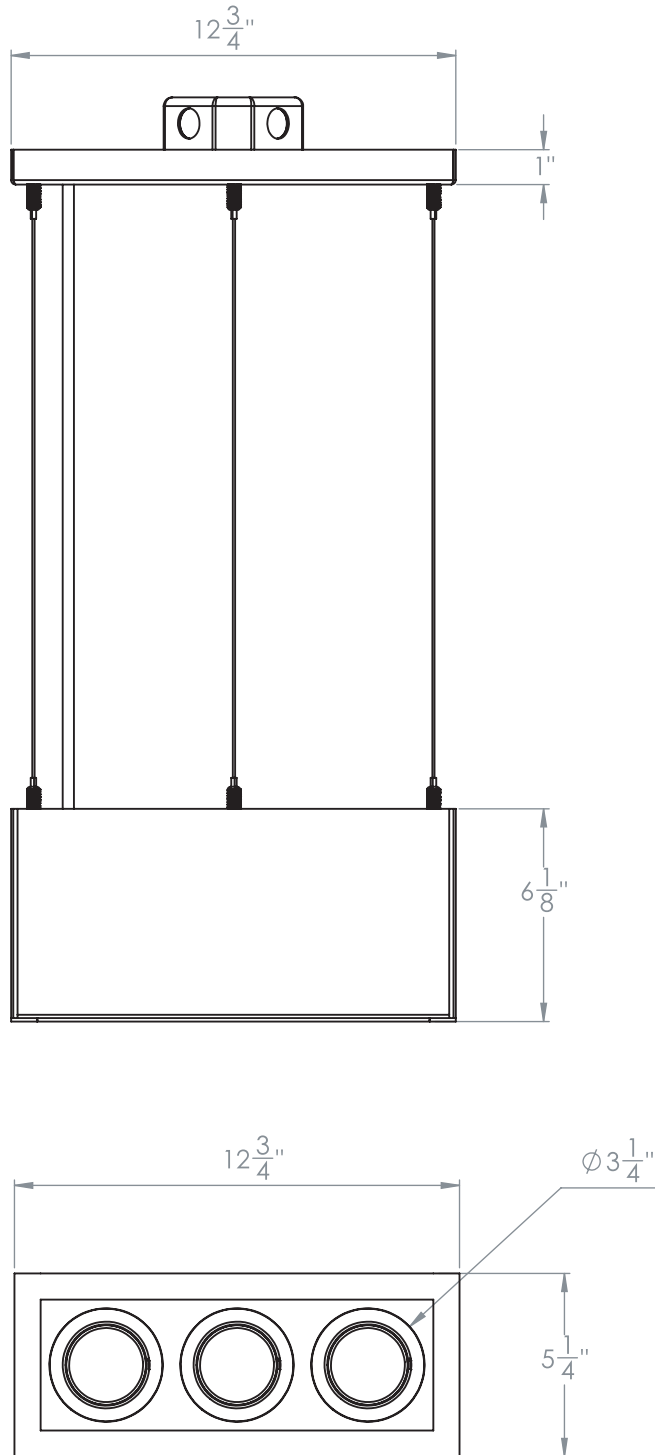


Revised 09/18/18

3.75" Gyro Shift Multiple 3 Head

Suspended Aircraft Adjustable Architectural Housing

S3FA-3LSA



Revised 09/18/18